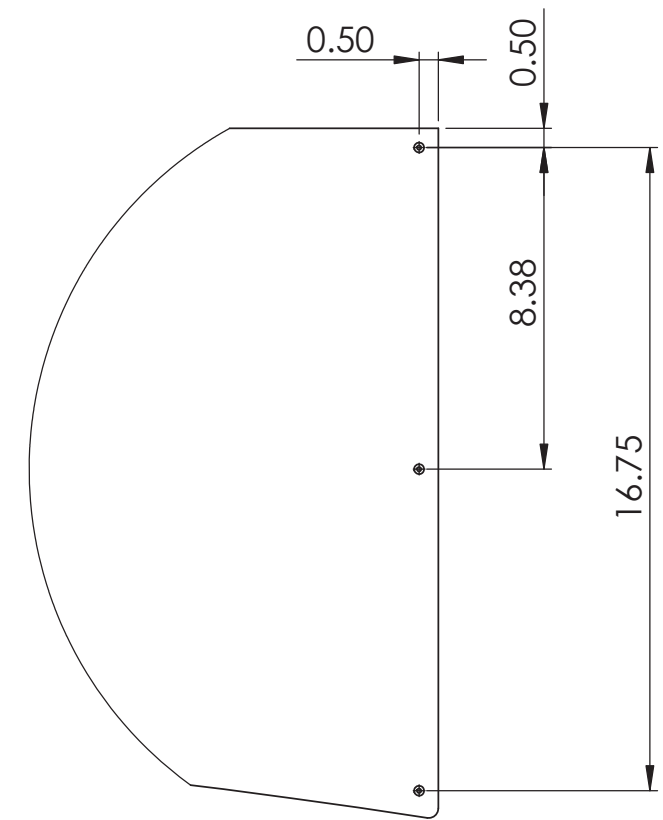
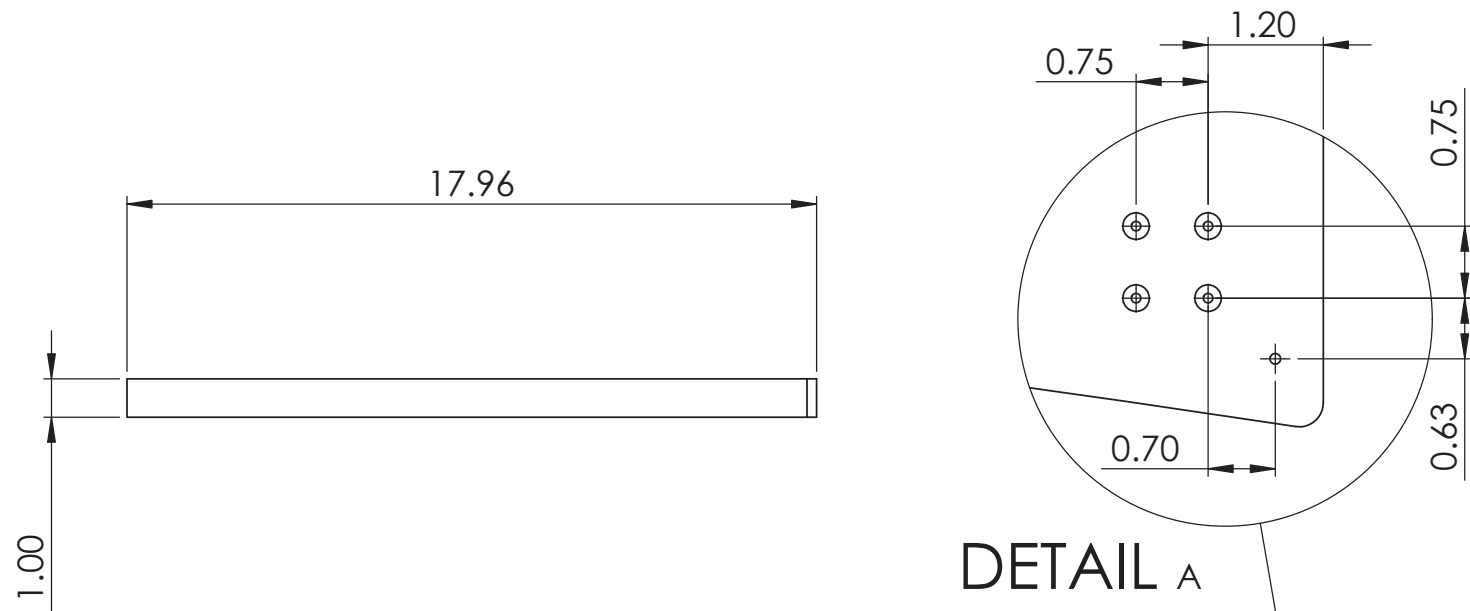


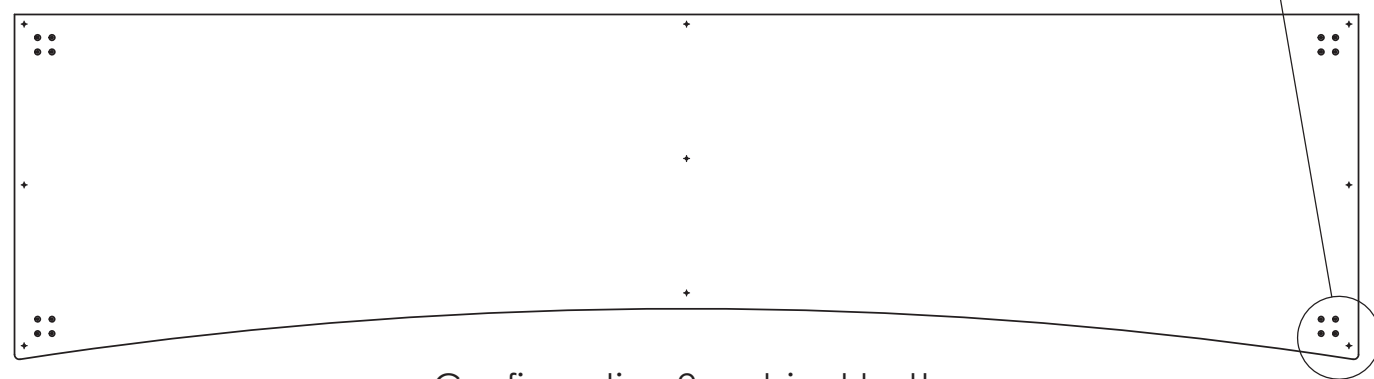
Configuration 1: cabinet top



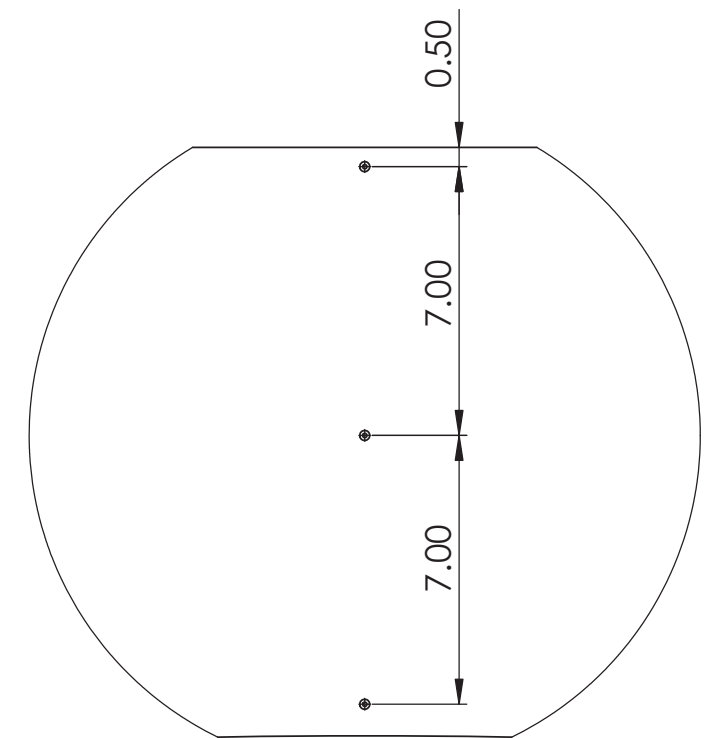
DETAIL D
SCALE 1 : 5



DETAIL A
SCALE 1 : 2



Configuration 2: cabinet bottom



DETAIL E
SCALE 1 : 5